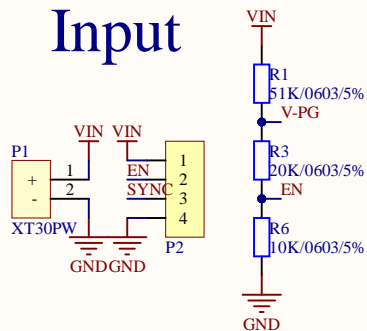
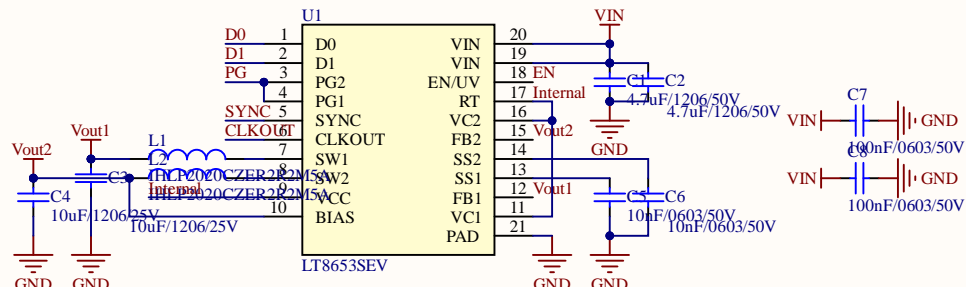


# Input

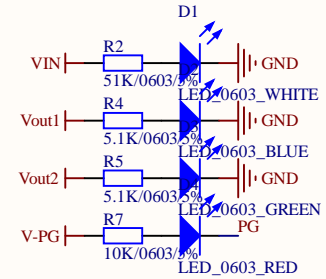


# Silent Switcher

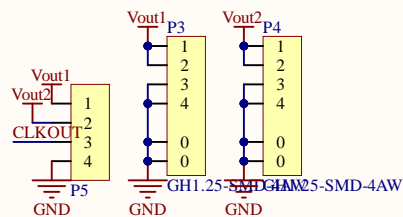
估算数据  
 $V_{EN} = 8.1 * 0.74 = 5.994V$   
 核算数据  
 $V_{EN} = 7.4V$   
 $V_{EN} = (7.4 * 10^{-71} * 10 * 0.02) / 81 = 0.738V$



# Indicate

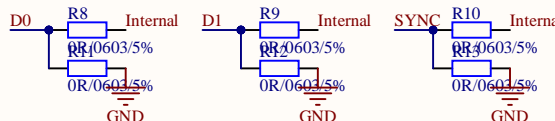


# Output



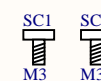
# Config

$D0/D1 = V1/V2$   
 0/0=0.8/0.8  
 0/F=3.3/0.8  
 F/0=5.0/0.8  
 F/F=5.0/3.3  
 0/1=3.3/3.3  
 1/0=5.0/5.0  
 1/F=3.3/1.8  
 F/1=5.0/1.8  
 1/1=1.8/0.8



SYNC=Mode  
 0=Burst Mode  
 1=SSM  
 F=FCM

# Fix



Title			HWSD-PSM Series-Silent-42V4A		
Size	Number		Revision		V1.0
A4					
Date:	2/10/2022		Sheet of		
File:	C:\Users\...\HWSD-Silent-42V4A.SCH.SHD		Drawn By:		ASR-Crash